

Amphenol®



ePower Connectors

The ePower series of connectors are designed for the demanding requirements of hybrid, electric vehicles, and utility truck electrical systems, operating at 800vdc to 1000vdc with a 200A to 500A rating. The product incorporates the patented RADSOK® technology for higher amperage, lower T-rise, less resistance and mating force. Meantime, it offers a 40% smaller footprint than three EMI shielding cable glands and easier operation of termination with shielded cable by a washer compressing the shield to the inside surface of the shell. The connector series covers 2 or 3 power contacts. As an example, one ePower 400A connector can replace three conventional connectors, saving space and cost.

Features:

- Two or three circuit power
- Crimp, lug or bus bar termination
- IP2X on pin and socket
- Environmental IP67 rating
- Two HVIL circuits
- 1,000vdc rating
- 5.7mm - 14mm RADSOK® technology for 200 to 500A current capability
- Strain relief for jacketed cable incorporated into shell
- Integrated EMI shielding
- Excellent vibration resistance
- All aluminum shell

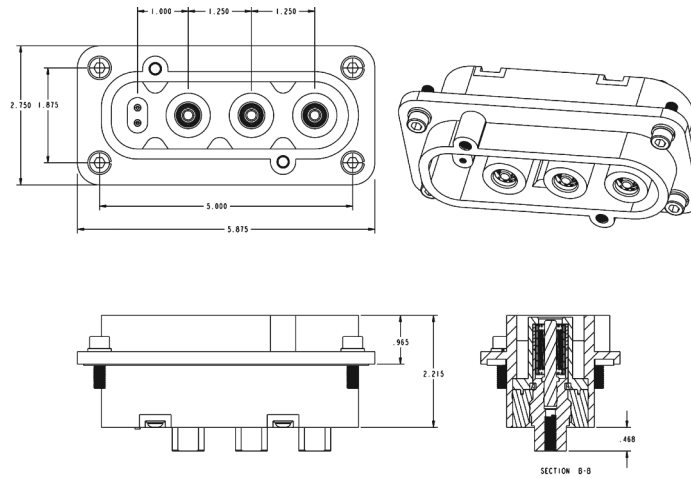
www.amphenol-industrial.com



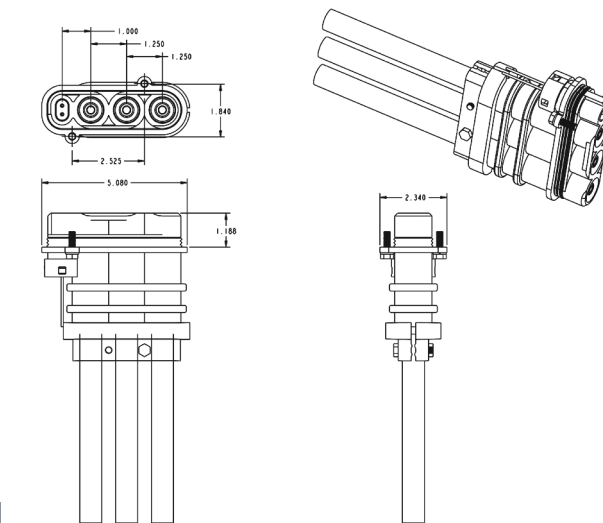
The markets and application for the ePower series include but are not limited to the following found in both the Military Aerospace and Industrial segments:

- Power converters
- Hybrid electric vehicles
- Heavy equipment electrification
- Two and three phase motors
- Starter generators

Receptacle



Plug



How to order

1		2		3		4		5		6		7	
e		P		2		2		25		1		1	
Product line	Connector	Amp Level	Number of Poles	Wire Size	Key Position	Plating							
e	ePower	P	Plug	2	200A	2	2 Pole	BB	Busbar (Receptacle Only)	1	Available in 2 & 3 Pole	1	Electroless Nickel
		R	Receptacle	4	400A	3	3 Pole	25	25 mm ² (200A Only)	2	Available in 2 & 3 Pole	FG	Tin over Nickel
								35	35 mm ² (200A Only)	3	Available in 2 & 3 Pole	B	No Plating
								50	50 mm ² (200A or 400A)	4	Available in 2 & 3 Pole		
								70	70 mm ² (400A Only)	5	Available in 3 Pole Only		
								95	95 mm ² (400A Only)	6	Available in 3 Pole Only		
										7	Available in 3 Pole Only		
										8	Available in 3 Pole Only		

The information contained in this data sheet is for reference only.

Notice: Specifications are subject to change without notice. Contact your nearest Amphenol Corporation Sales Office for the latest specifications. All statements, information and data given herein are believed to be accurate and reliable but are presented without guarantee, warranty, or responsibility of any kind, expressed or implied. Statements of suggestions concerning possible use of our products are made without representation or warranty that any such use is free of patent infringement and are not recommendations to infringe any patent. The user should assume that all safety measures are indicated or that other measures may not be required. Specifications are typical and may not apply to all connectors. AMPHENOL is a registered trademark of Amphenol Corporation.

For further information on your individual application requirements, contact: Amphenol Corporation

North America:
Amphenol Industrial Operations
180 N. Freeport Drive, Plant 4
Nogales, AZ 85621
Tel: (520) 285-5130
Fax: (520) 285-5134
Email: tech@amphenol-aio.com

Europe:
Amphenol Industrial Operations Europe
Via Barbaiana 5
1-20020 Lainate (MI) Italy
Tel: +39 02 93254.204
Fax: +39 02 93254.444
Email: info@amphenol-aio.com

Middle East:
Amphenol Middle East Enterprises FZE
Office C-37 PO Box 21107
Ajman Free Zone, UAE
Tel: +9 716-7422494
Fax: +9 716-7422941
Email: jhussain@amphenol-industrial.com

Asia:
Amphenol Technology Shenzhen Ltd
Block 5 Fuan 2nd Industrial Park
Dayang Rd, Fuyong Baoan
Baoan, Shenzhen, China 518103
Tel: +86 755 2881 8389
Fax: +86 755 2991 8310
Email: enquiry@amphenol-aio.com

Mouser Electronics

Authorized Distributor

Click to View Pricing, Inventory, Delivery & Lifecycle Information:

Amphenol:

[EP223511](#) [EP233511](#) [EP437011](#) [ER23BB11](#) [ER42BB11](#) [ER43BB11](#) [ER43BB31](#) [EP235011](#) [EP222511](#)
[EP225011](#) [EP232511](#) [EP435011](#)